

# Bey★nd

ENERGY SERVICES & TECHNOLOGY CORP.



---

## **ATLAS Series Rotating Control Device (RCD)**

FOR USE IN OFFSHORE AND LAND APPLICATIONS

# ATLAS Series Rotating Control Device (RCD)



## Main Specifications

Body	ATLAS Series
Inside Diameter	Dictated by ID of Lower Flange
Standard Bottom Connection	18 3/4" 5M
Standard Top Connection	21 1/4" 2M
Side Outlets	3 x 7 1/16" 5M
Equalize/Bleed Down Outlet	1 x 7 1/16" 5M
Optional Bottom Connections	13 5/8" 5M 13 5/8" 10M 18 3/4" 10M
Static Pressure Rating	5,000 psi (34.5 MPa), 2,000 psi (13.8 MPa)

Outlets and Seal Bores- Iconel Inlay as standard

## POSEIDON Bearing Assembly



POSEIDON  
3078



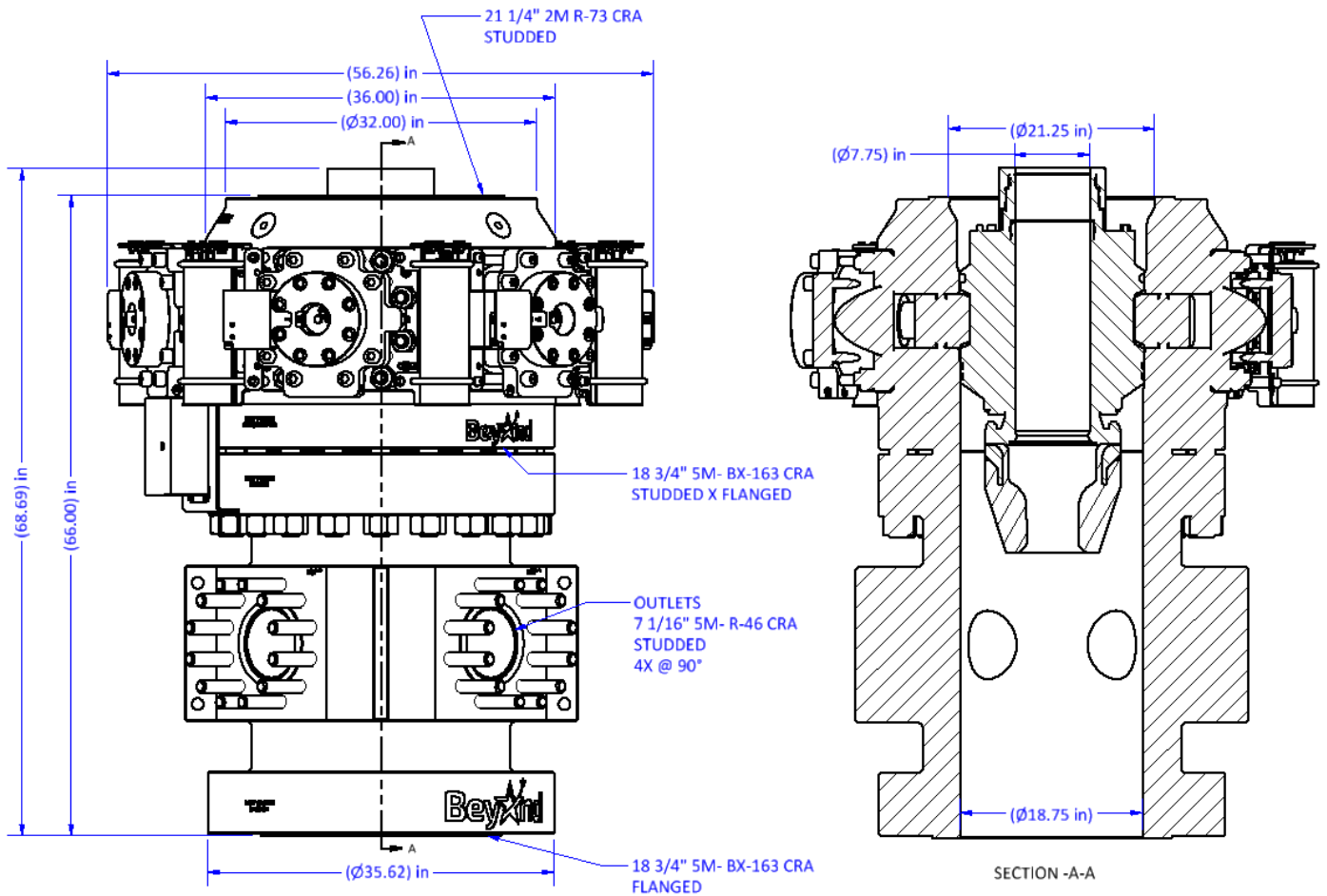
POSEIDON  
3090

Bearing Assembly Type		POSEIDON 3078* Bearing Assembly	POSEIDON 3090* Bearing Assembly
Maximum Outer Diameter		19" (483 mm)	19" (483 mm)
Passthrough Diameter		7 3/4" (197 mm)	9" (229 mm)
Static Pressure Rating		5,000 psi (34.5 MPa)	5,000 psi (34.5 MPa)
Dynamic Pressure Rating	@60 RPM	3,000 psi (20.7 MPa)	3,000 psi (20.7 MPa)
	@100 RPM	2,500 psi (17.2 MPa)	2,330 psi (16.1 MPa)
	@150 RPM	1,500 psi (10.3 MPa)	1,500 psi (10.3 MPa)
	@200 RPM	250 psi (1.7 MPa)	250 psi (1.7 MPa)
Maximum RPM		200 RPM	200 RPM

\*Dual Upper Stripping Assembly compatible  
Liquid Nitriding / QPQ Coating as standard

# ATLAS Series Rotating Control Device (RCD)

## Dimensional Data



## Features and Accessories

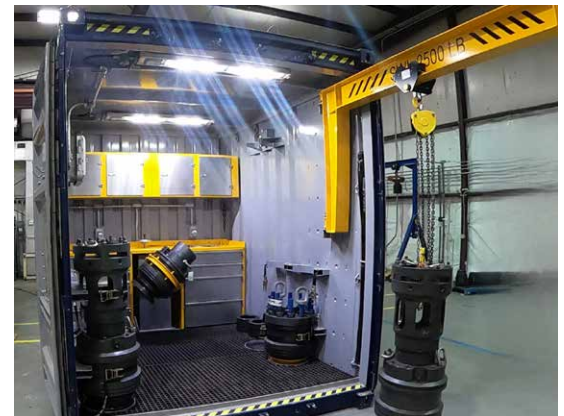
Logging Adaptor available in 7 1/16" 5M and 9" 5M

Comes with Securable DNV 10ft Open Top Transport Skid

Comes with Securable DNV 10ft High Cube Mobile Work Shop

Built in accordance with API 16RCD specifications and guidelines

API 16RCD 0027 Monogrammed



Mobile Workshop



We do **Managed Pressure Drilling.**

