

# Bey★nd

ENERGY SERVICES & TECHNOLOGY CORP.

## Mercury MPD™

Compact, Light  
MPD Package  
Solution





MERCURY



[www.beyondmpd.com](http://www.beyondmpd.com)

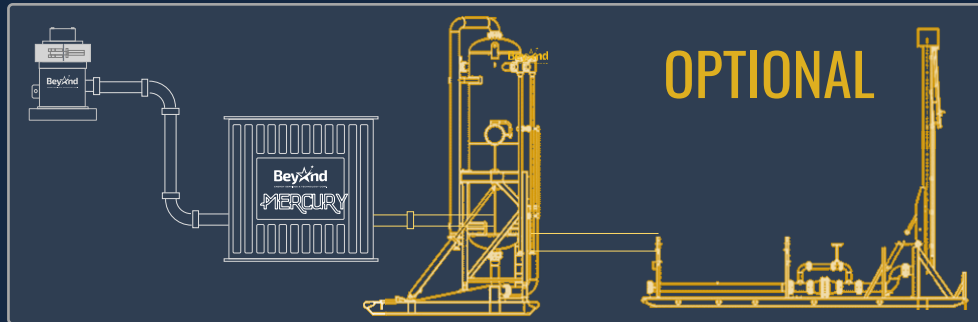


[sales@beyondmpd.com](mailto:sales@beyondmpd.com)



+1 (866) 648-9067

# MERCURY MPD™



## Includes

- B.E.S.T. TITAN series RCD with accessories
- RCD valve package
- High pressure pipe package
- Automated choke valve
- Single line choke manifold
- B.E.S.T. pressure control system
- Pressure Relief Valve (PRV)

## Optional Equipment

- B.E.S.T. integrated gas buster
- Gas flow meter
- B.E.S.T. flare stack
- Coriolis flow meter

## Functionality

- Entry level LOW operating expense MPD system
- Traps and holds pressure on the wellbore
- Minimal footprint on site
- Efficient Integration into the rig system
- Available in container and open skid deployment
- Runs with no personnel onsite
- Uses the same automated software as Beyond Energy's full MPD system
- Eliminates nuisance gas and associated downtime
- Fastest in industry rig up and rig down time
- Minimal rig intrusion
- PRV equipped to protect the wellbore and equipment





**Container dimensions:  
2.74m L x 2.19m W x 2.59m  
H / 9' L x 7'2" W x 8'5" H**

**Total gross weight:  
3120 kg / 6878 lbs**

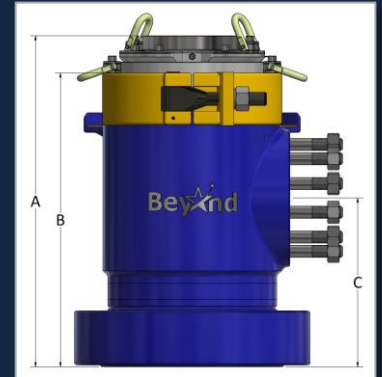


# TITAN Series Rotating Control Device (RCD)

## Main Specifications – TITAN Series body



Series	TITAN
Inside Diameter	Dictated by ID of Lower Flange
Bottom Inlet	Upon Request (see Dimensional Data)
Side Outlet	7 1/16" 5 000 API Flange (Studded)
Additional Side Outlet (TITAN 5 – Standard, TITAN 3 – Optional)	4 1/16" 5 000 API Flange (Studded)
Equalize/Bleed Down Outlet	2 1/16" 5 000 API Flange (Studded)
Pressure Rating	TITAN 5 Body – 5 000 psi (34.5 MPa)
	TITAN 3 Body – 3 000 psi (20.7 MPa)
API 16RCD Monogram	No. 0027



A = Overall Height

B = Body Height

C = Center of Outlets

## Dimensional Data

### TITAN 3 Assembly (3 000psi – 20.7 MPa)

Bottom Flange*	Overall Height with ARES Bearing Assembly	Body Height	Center of Outlets
13 5/8" 5M	37.4"	33.2"	19.1"
	95.0 cm	84.3 cm	48.5 cm
11" 5M	36.9"	32.7"	18.5"
	93.7 cm	83.1 cm	47.0 cm
11" 3M	35.2"	31.0"	16.8"
	89.4 cm	78.7 cm	42.6 cm
9" 5M	35.7"	31.5"	17.3"
	90.7 cm	80.0 cm	43.8 cm
7 1/16" 5M	35.2"	31.0"	16.8"
	89.4 cm	78.7 cm	42.6 cm

‡ Shorter TITAN 3 bodies can be manufactured on special request



### TITAN 5 Assembly (5 000psi – 34.5 MPa)

Bottom Flange*	Overall Height with ARES Bearing Assembly	Body Height	Center of Outlets
13 5/8" 5M	37.8"	34.0"	18.8"
	96.0 cm	86.4 cm	47.8 cm
11" 5M	37.8"	34.0"	18.8"
	96.0 cm	86.4 cm	47.8 cm
11" 3M	36.7"	32.5"	17.3"
	93.2 cm	82.6 cm	43.8 cm

\* API Rotating flanges. Please inquire about Overall Height with ARES 3078 and ARES 3090.





# TITAN Series Rotating Control Device (RCD) Main Specifications – ARES Series Bearing Assembly



ARES bearing assemblies can be installed in either the TITAN 3 or TITAN 5 bodies

		1578 Bearing Assembly	3078 Bearing Assembly*	3090 Bearing Assembly*
<b>Maximum Outer Diameter</b>		17 1/4" (43.8 cm)	17 1/4" (43.8 cm)	17 1/4" (43.8 cm)
<b>Passthrough Diameter</b>		7 3/4" (19.7 cm)	7 3/4" (19.7 cm)	9" (22.86 cm)
<b>Static Pressure Rating</b>		3 000 psi (20.7 MPa)	5 000 psi (34.5 MPa)	5000 psi (34.5 MPa)
<b>Dynamic Pressure Rating</b>	<b>@ 60 RPM</b>	1 500 psi (10.4 MPa)	3 000 psi (20.7 MPa)	3000 psi (20.7 Mpa)
	<b>@ 100 RPM</b>	1 500 psi (10.4 MPa)	2 500 psi (17.2 MPa)	2330 psi (16.1 Mpa)
	<b>@ 150 RPM</b>	1 000 psi (6.9 MPa)	1 500 psi (10.3 MPa)	1500 psi (10.3 MPa)
	<b>@ 200 RPM</b>	1 000 psi (6.9 MPa)	To Be Determined	250 psi (1.7 MPa)
<b>Maximum RPM</b>		200 RPM	200 RPM	200 RPM



\*Dual Bearing Assembly available



All Beyond Energy RCD Products are developed in accordance with API Spec 16RCD

## Applications

- Managed Pressure Drilling
- Underbalanced Drilling
- Pressurized Mud Cap Drilling
- Containment of wellbore returns

## Features and Accessories

- Logging adaptor available in 7 1/16" 5M and 9" 5M
- Comes with securable transport skid
- Additional rotating or fixed flange options
- Manufactured in accordance with API Q1, ISO 9001:2015, and API 16RCD

# Advantages of the Beyond MPD System



## Less loads to transport

Our complete, small footprint MPD package requires only 1 load vs. 5-6 loads for packages available in the market today

## Faster & less expensive rig up and rig down

Our integrated package requires less piping and with our drop off container, rig up and rig down times are substantially reduced

## Required crew onsite

No MPD crew is required for MERCURY MPD™

## 24/7 Engineering support

With the best Engineering Team in the business, our staff assist you with designing your wells, supporting the field operations 24/7, monitoring all drilling activities while ensuring the technical integrity of the drilling operations

## The most experienced and motivated team of Operators and Supervisors

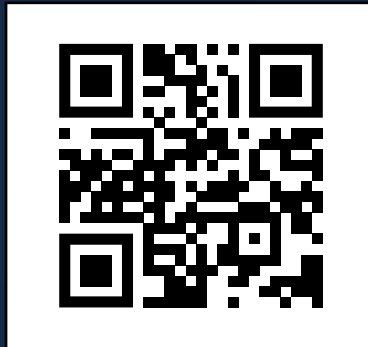
All of our senior supervisors have 15+ years of experience in MPD and UBD applications worldwide, ensuring your well is in the best hands possible

## Experience

We have drilled over 1000+ wells in the last 5 years, under various conditions, for several clients globally, ranging from multiphase operations to HPHT wells with no practical drilling window



# We do Managed Pressure Drilling.



V1.2