

Bey★nd

ENERGY SERVICES & TECHNOLOGY CORP.



ATLAS Series Rotating Control Device (RCD)

FOR USE IN OFFSHORE AND LAND APPLICATIONS

ATLAS Series Rotating Control Device (RCD)



Main Specifications

Body	ATLAS Series
Inside Diameter	Dictated by ID of Lower Flange
Standard Bottom Connection	18 3/4" 5M
Standard Top Connection	21 1/4" 2M
Side Outlets	3 x 7 1/16" 5M
Equalize/Bleed Down Outlet	1 x 7 1/16" 5M
Optional Bottom Connections	13 5/8" 5M 13 5/8" 10M 18 3/4" 10M
Static Pressure Rating	5,000 psi (34.5 MPa), 2,000 psi (13.8 MPa)

POSEIDON Bearing Assembly



POSEIDON
3078



POSEIDON
3090

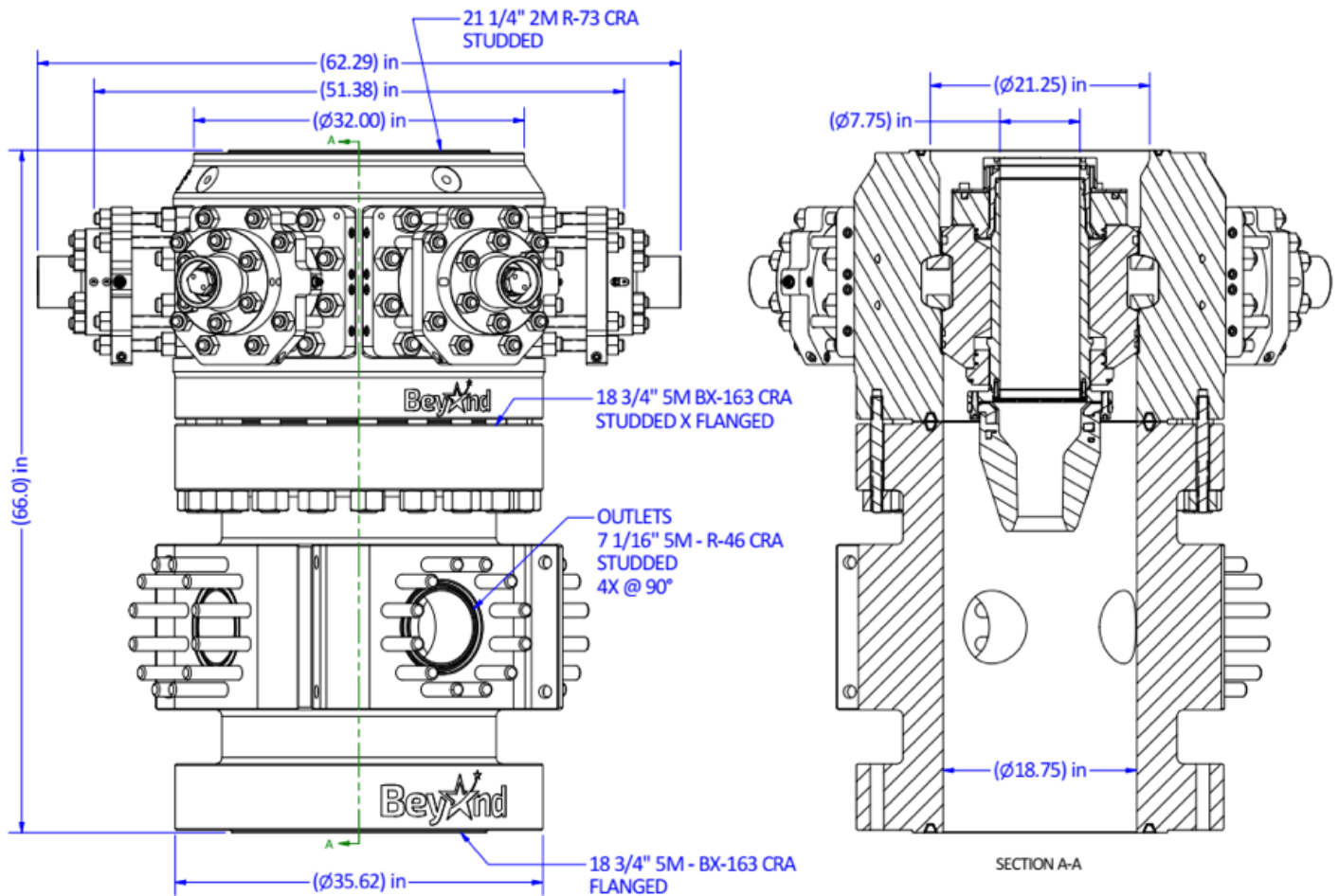
Bearing Assembly Type		POSEIDON 3078*	POSEIDON 3079*
Maximum Outer Diameter		19" (482.6 mm)	19" (482.6 mm)
Bore Thru Bearing		7 3/4" (196.9 mm)	9" (228.6 mm)
Static Pressure Rating		5,000 psi (34.5 MPa)	5,000 psi (34.5 MPa)
Dynamic Rating	@60 RPM	3,000 psi (20.7 MPa)	3,000 psi (20.7 MPa)
	@100 RPM	2,500 psi (17.2 MPa)	2,330 psi (16.1 MPa)
	@150 RPM	1,500 psi (10.3 MPa)	1,500 psi (10.3 MPa)
	@200 RPM	**	250 psi (1.7 MPa)
Maximum RPM		200 RPM	200 RPM

*Dual Bearing Assembly available

** Ongoing evaluation

ATLAS Series Rotating Control Device (RCD)

Dimensional Data



Features and Accessories

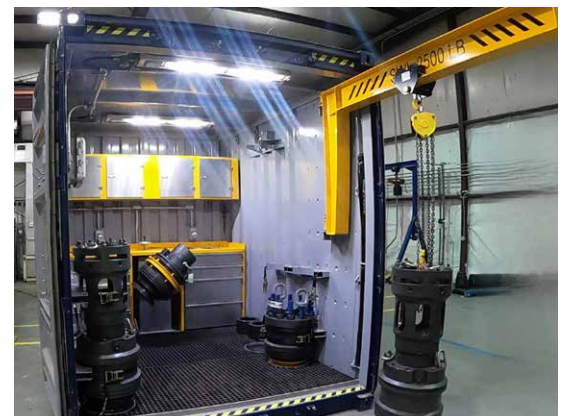
Logging Adaptor available in 7 1/16" 5M and 9" 5M

Comes with Securable DNV 10ft Open Top Transport Skid

Comes with Securable DNV 10ft High Cube Mobile Work Shop

Built in accordance with API 16RCD specifications and guidelines

API 16RCD 0027 Monogrammed



Mobile Workshop



We do **Managed Pressure Drilling.**

